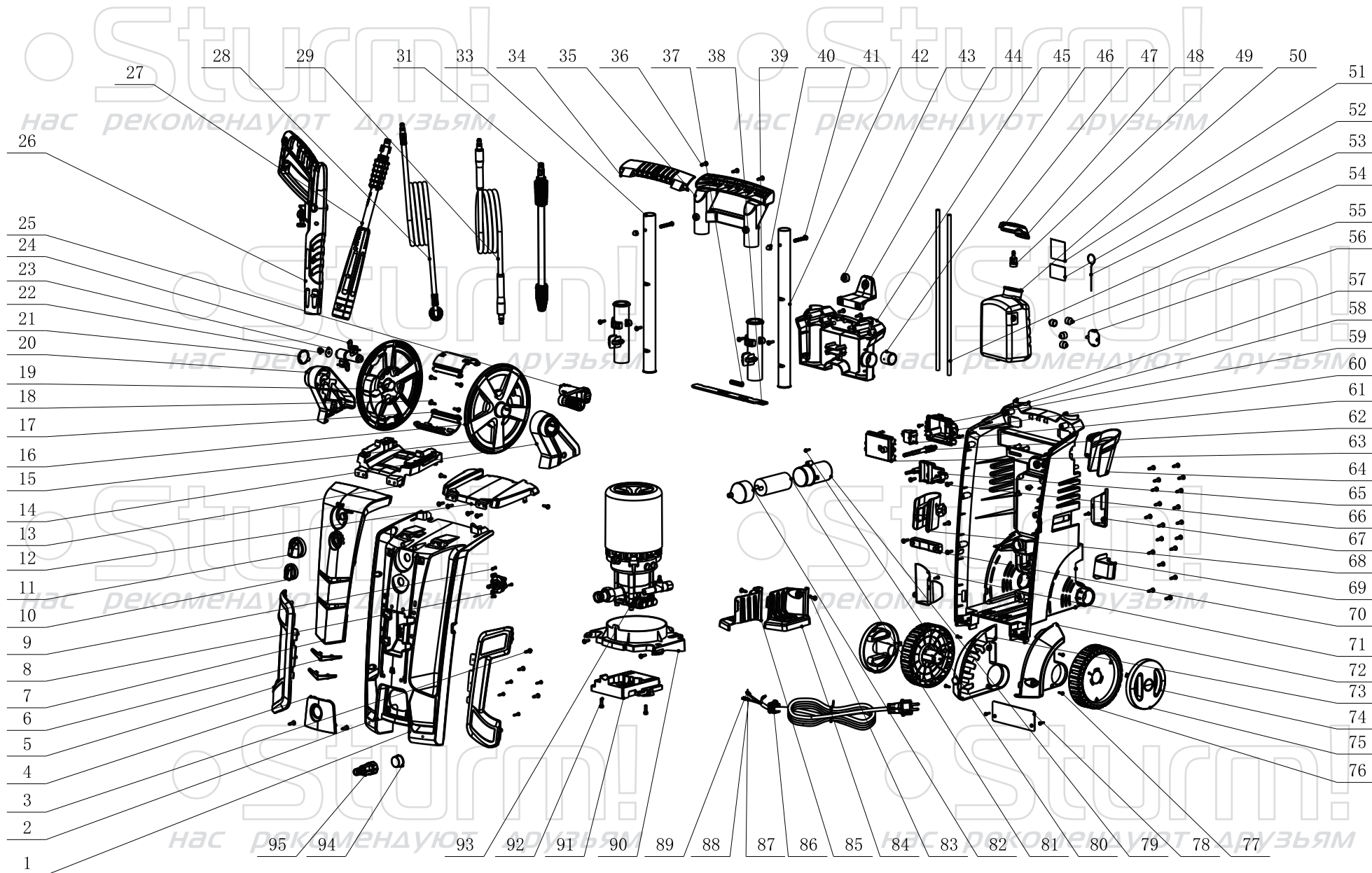


PW9229I



PW9229I

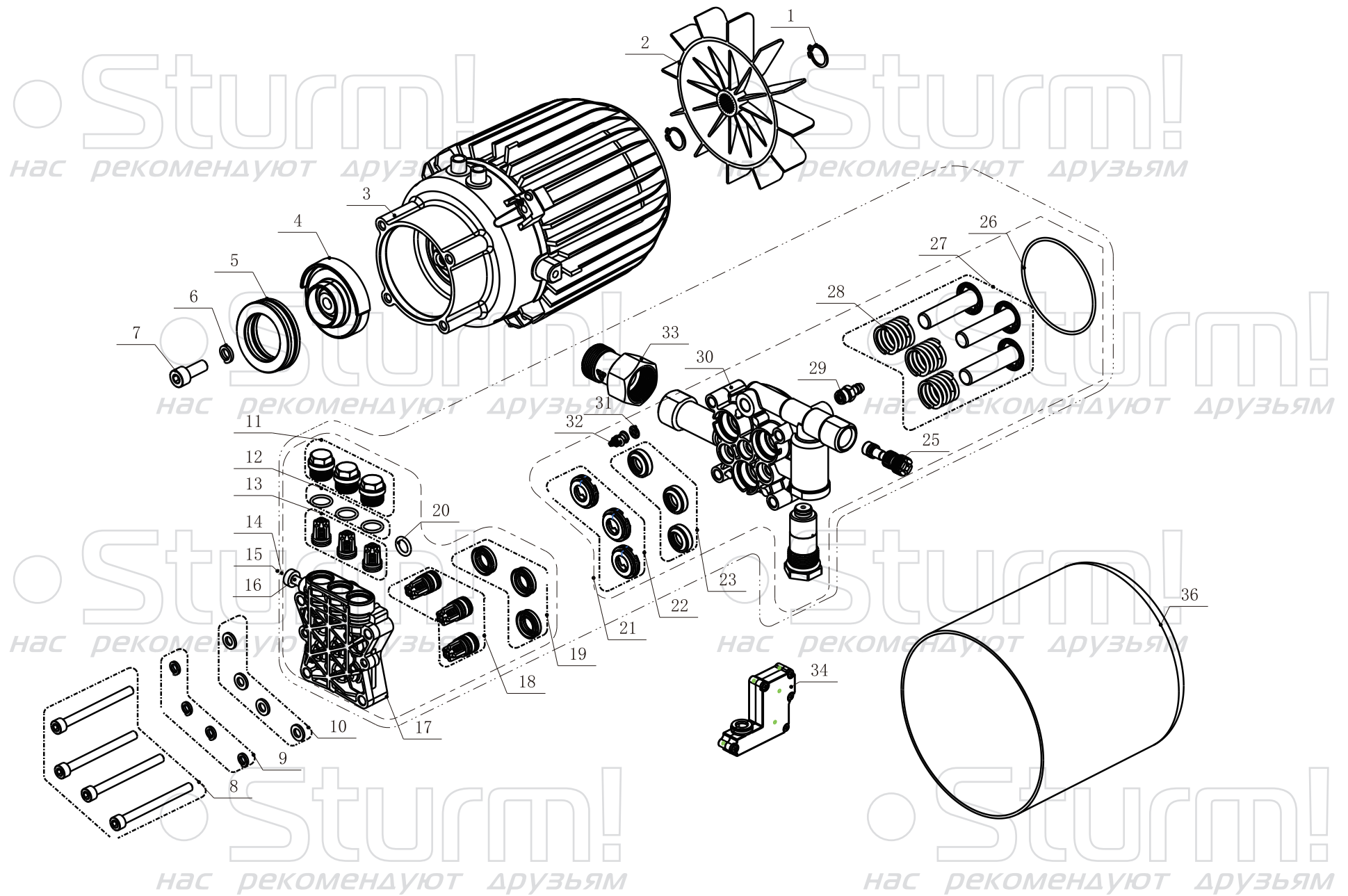
| NO. | DESCRIPTION | NO. | DESCRIPTION | NO. | DESCRIPTION |
|-----|--------------------------------------|-----|-------------------------|-----|-----------------------------------|
| 1 | FRONT HOUSING ASSY | 34 | HANDLE COVER | 65 | FIXED BRACKET FOR SWITCH BOX |
| 2 | FRONT HOUSING | 35 | HANDLE | 66 | SCREW |
| 3 | SCREW | 36 | SCREW | 67 | RIGHT COVER PLATE FOR SOAP BOTTLE |
| 4 | INLET DECORATIVE PLATE | 37 | SPRING | 68 | GUN HOLDER |
| 5 | LEFT AND RIGHT DECORATIVE PLATE ASSY | 38 | PULL ROD LOCK | 69 | DAMPER |
| 6 | SMALL DECORATIVE PLATES | 39 | GUIDE PULL ROD | 70 | STOP BLOCK |
| 7 | KNOB DECORATIVE PLATES | 40 | NUT | 71 | LEFT COVER PLATE FOR SOAP BOTTLE |
| 8 | DETERGENT VALVE | 41 | BOLT | 72 | RIGHT WHEEL BRIM |
| 9 | SCREW | 42 | GUIDE PULL | 73 | LEFT WHEEL BRIM |
| 10 | DETERGENT KNOB | 43 | DAMPING RING | 74 | WHEEL ASSY |
| 11 | SWITCH KNOB | 44 | CABLE HOOK | 75 | WHEEL COVER |
| 12 | TOP PLATE | 45 | BACK PLATE | 76 | WHEEL |
| 13 | FRAME BASE | 46 | LOCK BUTTON | 77 | SCREW |
| 14 | RIGHT FRAME | 47 | DETERGENT TANK ASSY | 78 | WATERPROOF BOARD |
| 15 | HOSE REEL ASSY | 48 | DETERGENT TANK COVER | 79 | CAPACITOR BOX |
| 16 | RIGHT HOSE REEL RIM | 49 | TANK SPIGOT & TANK PLUG | 80 | SCREW |
| 17 | HOSE REEL HUB | 50 | DETERGENT TANK | 81 | CAPACITOR |
| 18 | SCREW | 51 | LABEL | 82 | CAPACITOR COVER |
| 19 | LEFT HOSE REEL RIM | 52 | WARNING LABEL | 83 | SCREW |
| 20 | LEFT FRAME | 53 | CLEANER | 84 | RIGHT GUNSTOCK |
| 21 | HOSE FRAME COVER | 54 | PIPETTE | 85 | LEFT GUNSTOCK |
| 22 | SCREW | 55 | TARPAULIN | 86 | POWER CABLE & PLUG |
| 23 | FLAT WASHER | 56 | OUTLET COVER PLATE | 87 | LOCK WASHER |
| 24 | 2 WAY CONNECTOR ASSY | 57 | BACK HOUSING ASSY | 88 | SCREW |
| 25 | ROLLING HANDLE ASSY | 58 | BACK HOUSING | 89 | SPRING WASHER C 4 |
| 26 | SPRAY GUN YLG10 | 59 | SWITCH BOX KIT | 90 | WIND DEFLECTOR |
| 27 | SPRAY LANCE YLG10 | 60 | SWITCH BOX | 91 | PUMP BASE |
| 28 | 0.65M HIGH PRESSURE HOSE | 61 | SWITCH | 92 | SCREW |
| 29 | 5M HIGH PRESSURE HOSE | 62 | SWITCH LEVER | 93 | MOTOR PUMP ASSY |
| 31 | TURBO LANCE -YL | 63 | SWITCH COVER | 94 | WATER INLET COVER |
| 33 | HANDLE ASSY | 64 | ACCESSORIES PLATE | 95 | INLET WATER NUT ASSY |

PW9229I ex-RUS220516

Sturm!
нас рекомендуют друзья

Sturm!
нас рекомендуют друзья

PUMP FOR PW9229I



PUMP FOR PW9229I

| NO. | DESCRIPTION |
|-----|-----------------------------------|
| 1 | CIRCLIP |
| 2 | YLM01-FAN |
| 3 | YLM08-1195-AL-MOTOR-27239 |
| 4 | 81-DEGREE-M08-WOBBLE-DISC |
| 5 | THRUST-BALL-BEARING-51107A |
| 6 | SPRING-WASHER-D8 |
| 7 | SCREW M8X20 |
| 8 | SCREW M6X70 |
| 9 | SPRING-WASHER-D6-R2 |
| 10 | PLAIN-WASHER-C-D6 |
| 11 | YLP03-CHECK-VALVE-NUT |
| 12 | O-RING |
| 13 | YLP03-OUTLET-CHECK-VALVE-ASSY |
| 14 | YLP08-CYLINDER-HEAD-1728-ASSY |
| 15 | YLP08-PUMP-28459-ASSY |
| 16 | SCREW M6X8 |
| 17 | YLP08-CYLINDER-HEAD-HC96 |
| 18 | YLP08-INLET-VALVE-ASSY |
| 19 | Y-SEAL |
| 20 | O-RING |
| 21 | YLP08-PISTON-GUIDER-6641-ASSY |
| 22 | YLP08-WATER-SEAL-SUPPORT-NEW-2 |
| 23 | PISTON-SEAL-20-12-5 |
| 25 | YLQ10S-VENTURI-ASSY-19001 |
| 26 | O-RING |
| 27 | YLP08-PISTON-ASSY |
| 28 | YLP08-PISTON-SPRING |
| 29 | YLQ10S-SUCTION-NIPPLE-ASSY |
| 30 | YLP08-PISTON-GUIDER-S-M22 |
| 31 | YLP01-CONE-SPRING-BASE |
| 32 | YLP08-CHIEF-VALVE-700-ASSY |
| 33 | MPX120B-INLET-ASSY |
| 34 | YLP08-MICROSWITCH-M20-26-BOX-1985 |
| 36 | M08-VENT-COVER |

PW9229I ex-RUS220516